



Perimeter of L-Shapes

Grade 3

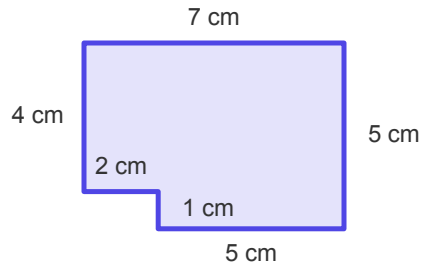
Name: _____

Add all side lengths to find the perimeter.

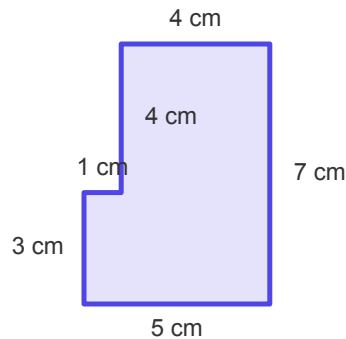
Add the lengths of all outer sides. Don't forget the missing sides!

Example: Perimeter = 28 cm

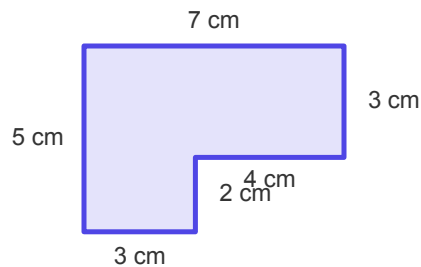
(1) Calculate the perimeter of this composite figure.



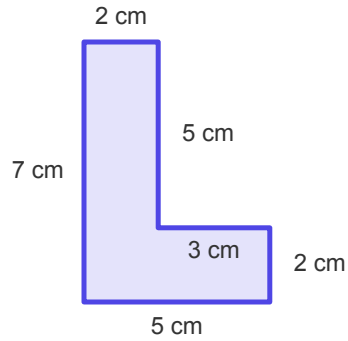
(2) Find the perimeter of the shaded shape.



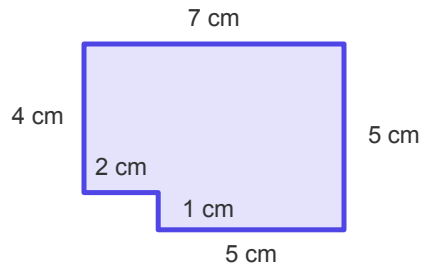
(3) What is the perimeter of this L-shaped figure?



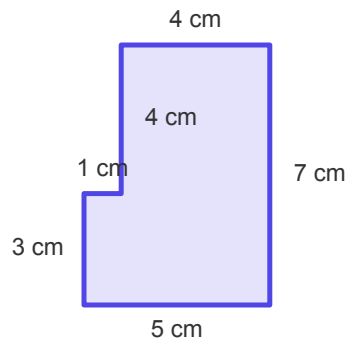
(4) What is the perimeter of this shape?



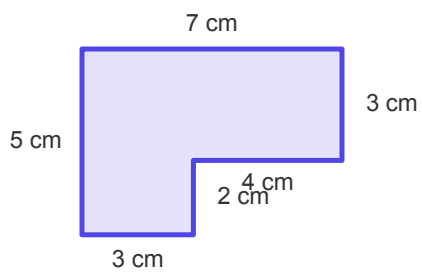
(5) Calculate the perimeter of this composite figure.



(6) Find the perimeter of the shaded shape.



(7) What is the perimeter of this L-shaped figure?



(8) What is the perimeter of this shape?

