



Area of Composite Figures

Grade 4

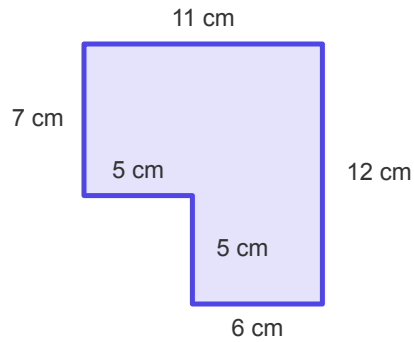
Name: _____

Find the area of each composite figure.

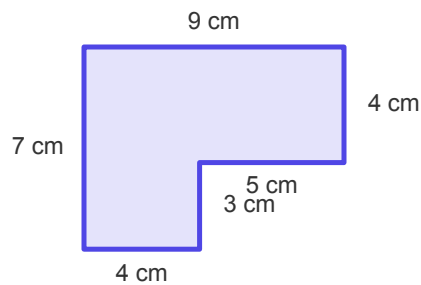
Split the shape into two rectangles. Calculate the area of each rectangle and add them together.

Example: Area = $(3 \times 6) + (5 \times 2) = \underline{28 \text{ sq cm}}$

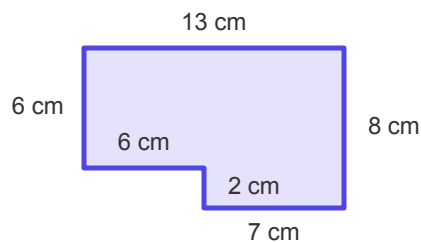
(1) Calculate the area of this composite figure.



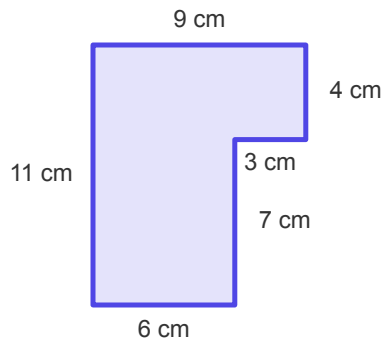
(2) What is the area of this L-shaped figure?



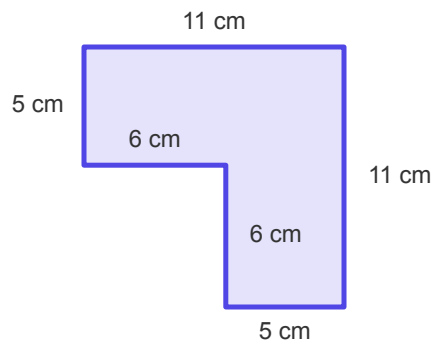
(3) Calculate the area of this composite figure.



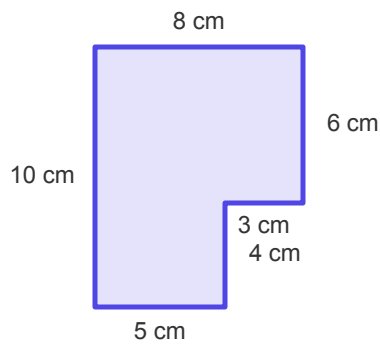
(4) What is the area of this L-shaped figure?



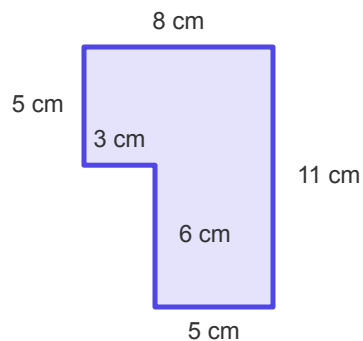
(5) Calculate the area of this composite figure.



(6) What is the area of this L-shaped figure?



(7) Calculate the area of this composite figure.



(8) What is the area of this L-shaped figure?

