



Area of L-Shaped Figures

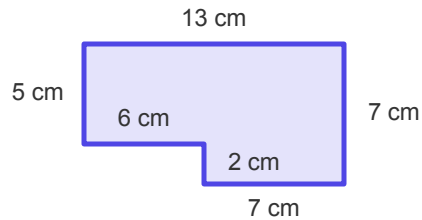
Grade 4

Name: _____

Split into rectangles, find areas, then add.

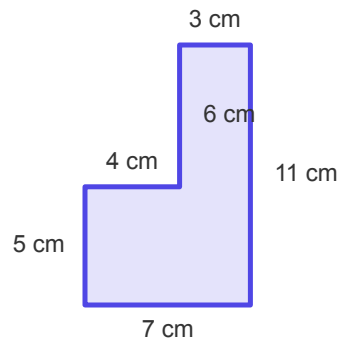
Example: Example: Rectangle A (9 in \times 8 in) = 72 sq in and Rectangle B (7 in \times 3 in) = 21 sq in. Total area = 72 + 21 = 93 sq in.

(1) Calculate the area of this composite figure.



- (A) 45 cm² (B) 53 cm² (C) 59 cm² (D) 61 cm²

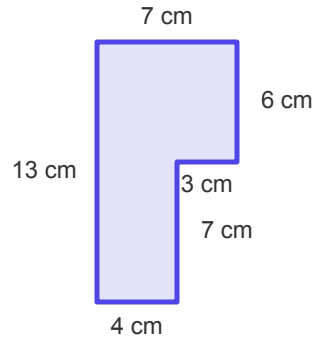
(2) Find the area of the shaded L-shape.



- (A) 43 cm² (B) 57 cm² (C) 61 cm² (D) 63 cm²

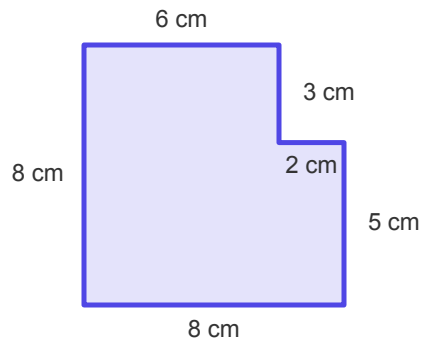


(3) What is the area of this L-shaped figure?



- (A) 56 cm^2 (B) 60 cm^2 (C) 68 cm^2 (D) 70 cm^2

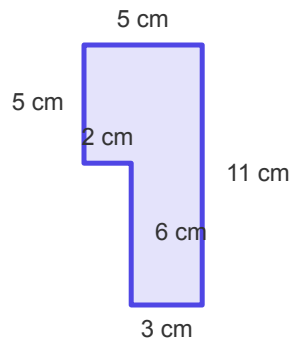
(4) What is the area of this shape?



- (A) 44 cm^2 (B) 58 cm^2 (C) 60 cm^2 (D) 64 cm^2

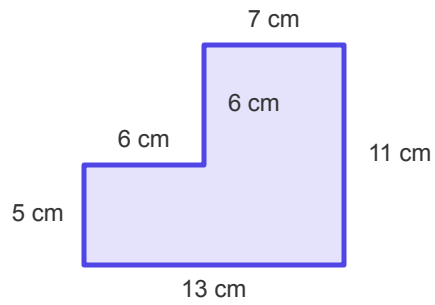


(5) Calculate the area of this composite figure.



- (A) 39 cm^2 (B) 43 cm^2 (C) 45 cm^2 (D) 49 cm^2

(6) Find the area of the shaded L-shape.



- (A) 105 cm^2 (B) 113 cm^2 (C) 115 cm^2 (D) 121 cm^2

