



Area of L-Shapes

Grade 4

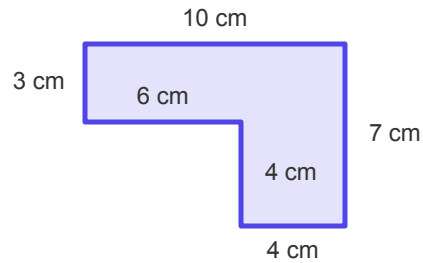
Name: _____

Find the area. Decompose into two rectangles.

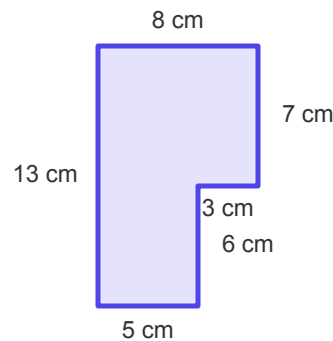
Split the L-shape into two rectangles, find the area of each, and add them together.

Example: Area = 24 sq cm

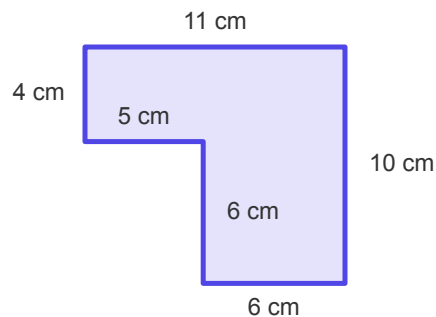
(1) Calculate the area of this composite figure.



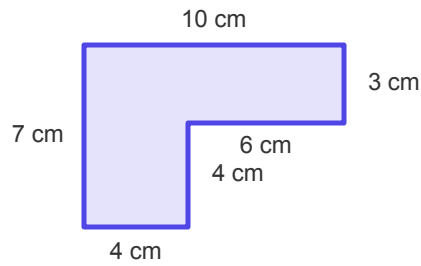
(2) What is the area of this L-shaped figure?



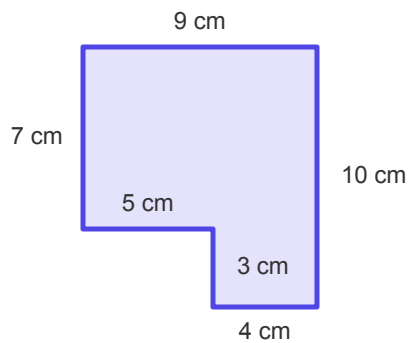
(3) Calculate the area of this composite figure.



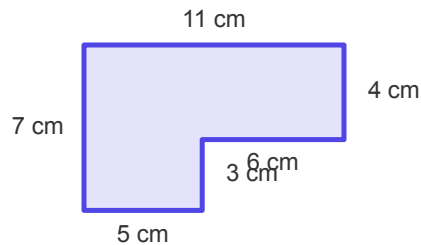
(4) What is the area of this L-shaped figure?



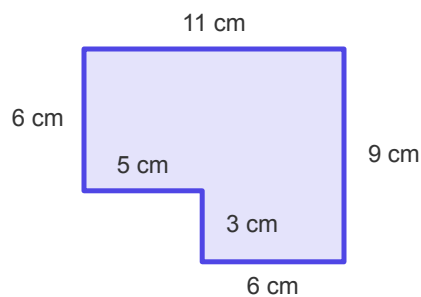
(5) Calculate the area of this composite figure.



(6) What is the area of this L-shaped figure?



(7) Calculate the area of this composite figure.



(8) What is the area of this L-shaped figure?

