



Perimeter of Composite Figures

Grade 4

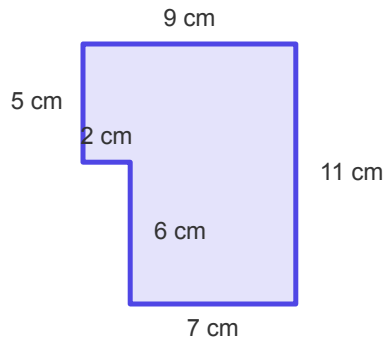
Name: _____

Find the perimeter.

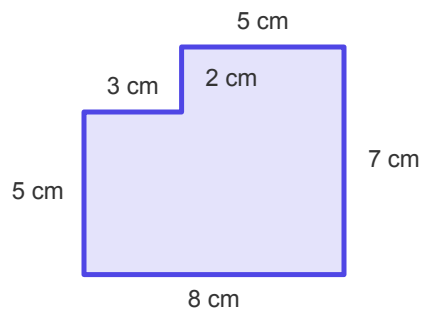
Add all the outer side lengths together. Hint: For L-shapes, Perimeter = $2 \times (\text{Total Width} + \text{Total Height})$.

Example: Perimeter = $2 \times (8 + 6) = \underline{28 \text{ cm}}$

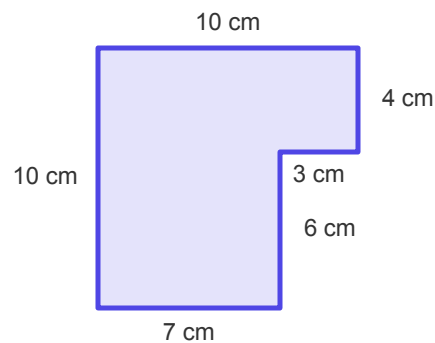
(1) Calculate the perimeter of this composite figure.



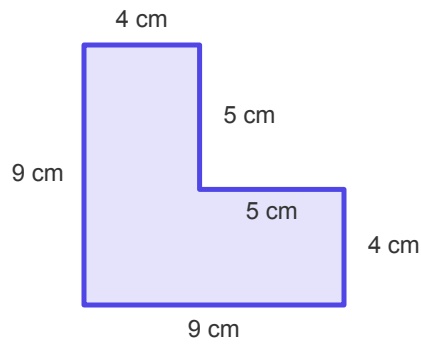
(2) Find the perimeter of the shaded shape.



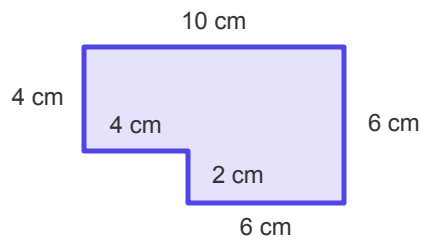
(3) What is the perimeter of this L-shaped figure?



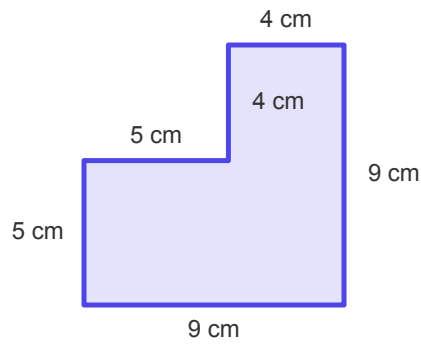
(4) What is the perimeter of this shape?



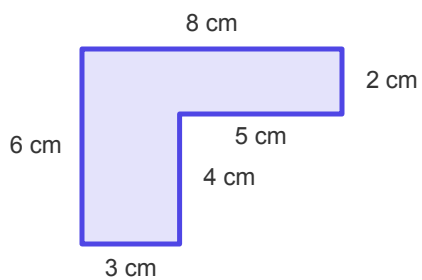
(5) Calculate the perimeter of this composite figure.



(6) Find the perimeter of the shaded shape.



(7) What is the perimeter of this L-shaped figure?



(8) What is the perimeter of this shape?

